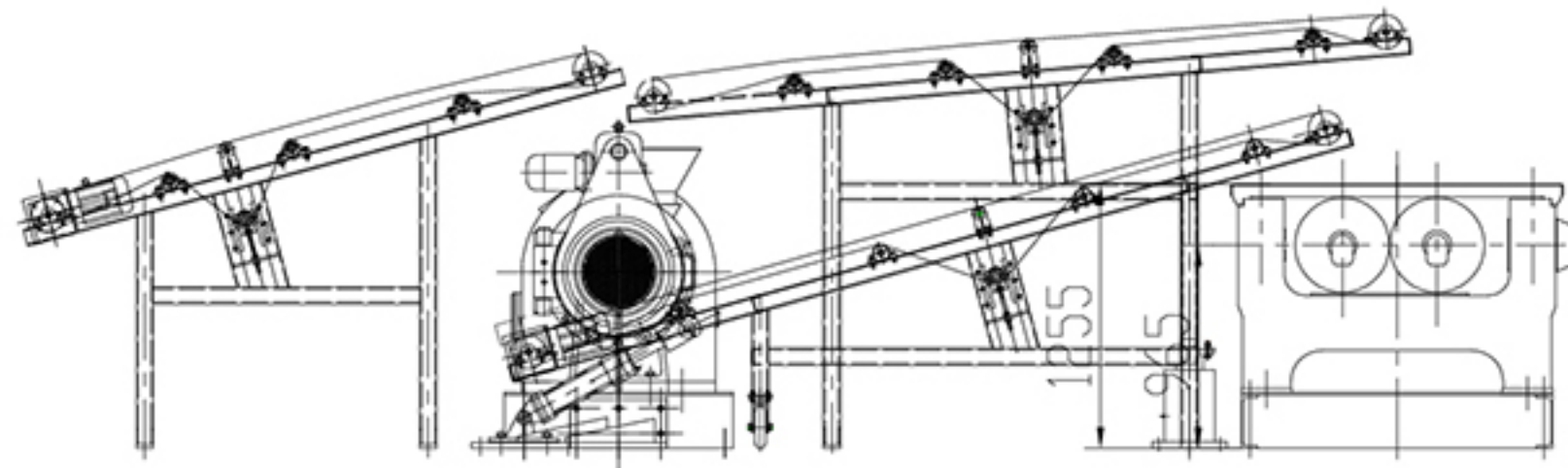
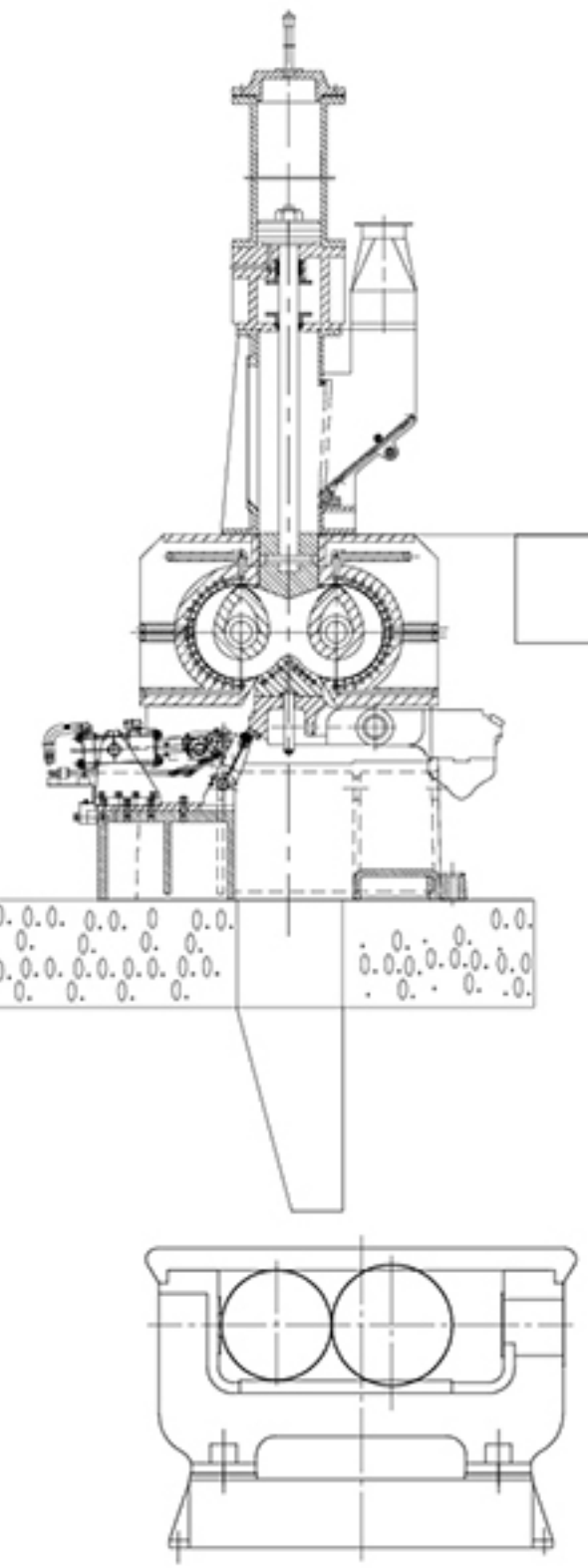


Internal mixer



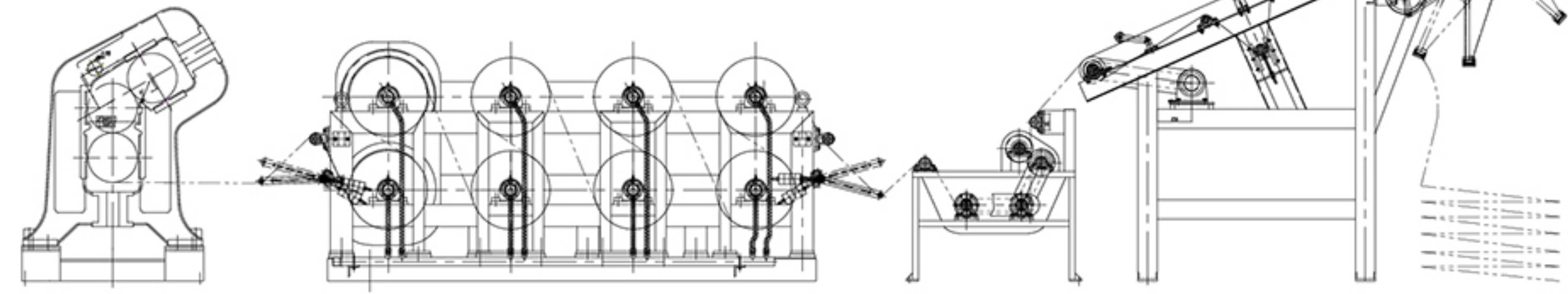
Two roll mill

Conveyor belt

Rubber strainer

Conveyor belt

Two roll mill



3-roll calender

Cooler

Isolated powder trough

Feeding & stacking device